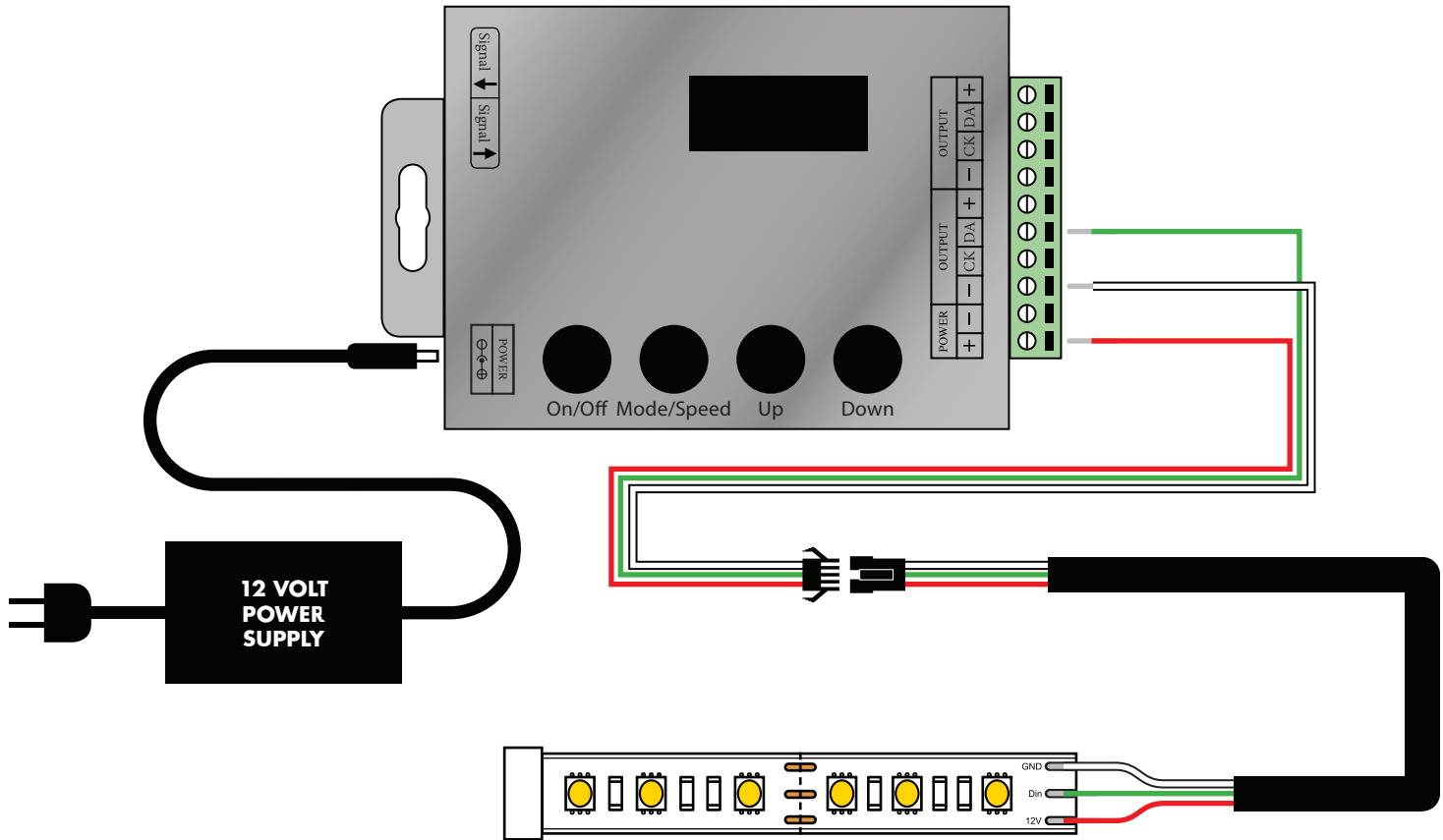


RGB CHASING STRIP LIGHT CONTROLLER INSTRUCTIONS



Controller Wiring Directions:

While the controller is unpowered, connect the RGB Chasing Strip light to the controller using solder point wiring to the corresponding controller terminals:

12V will use the **RED** wire to connect to **POWER +**
Din will use the **GREEN** wire to connect to **OUTPUT DA+**
GND will use the **WHITE** wire to connect to **OUTPUT -**

Connect your 12 Volt power supply into the controller.

Adjusting the Lighted Length:

The lighted length of the strip light can be adjusted to the overall length of the chasing strip lights. While the controller is off simultaneously press the UP and DOWN buttons. To make the lighted length longer use the UP button and to shorten the length use the DOWN button.

Controller Link Directions:

Multiple RGB chasing strip light controllers can be linked together using an ethernet cable. Simply determine which controller will be the master and insert the ethernet cable in the signal out slot **Signal ↓** and attach the opposite end of the cable into the signal in slot **Signal ↑** on the slave controller. To adjust mode, speed, or lighted length use the included remote or the buttons on the master controller.

For more information please contact us at:
406-586-5970 or visit www.birddogdistributing.com