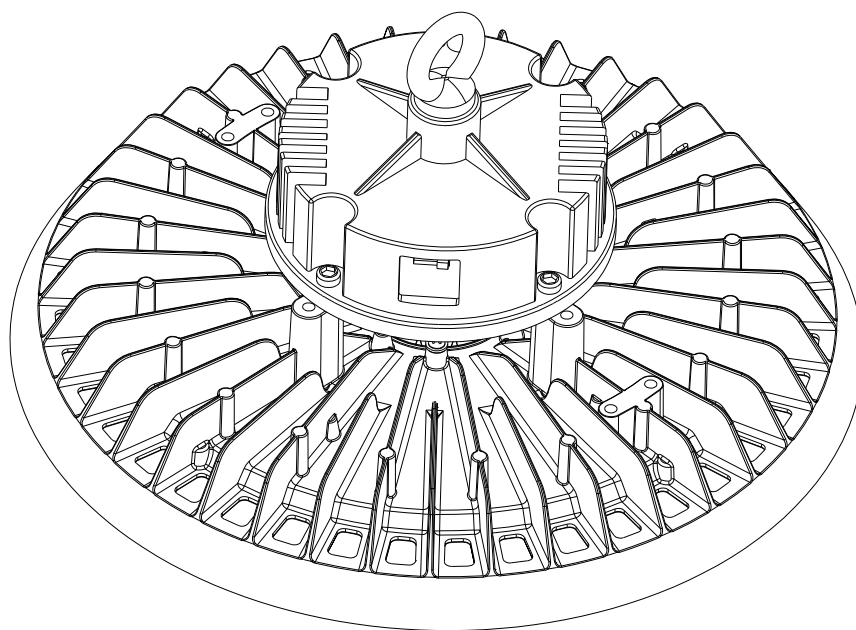
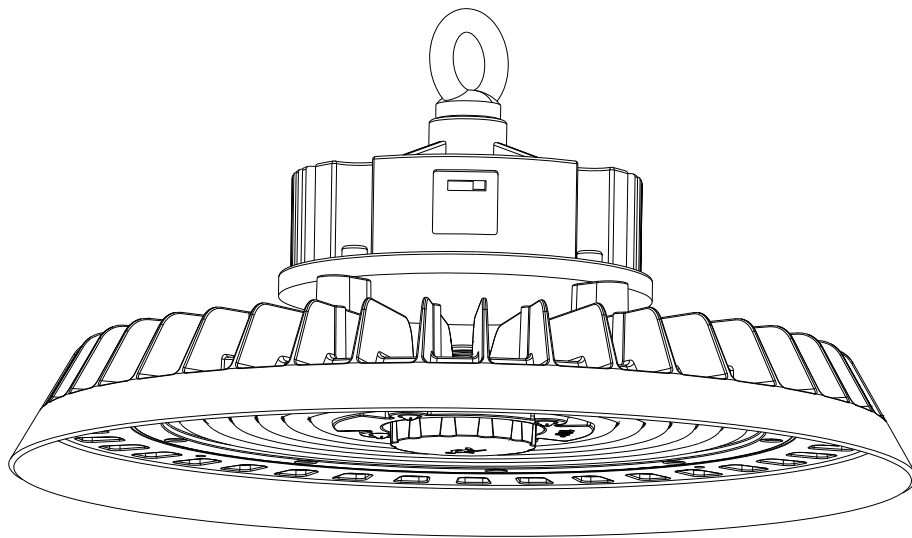




Power Tunable UFO Series Highbay

Product Appearance



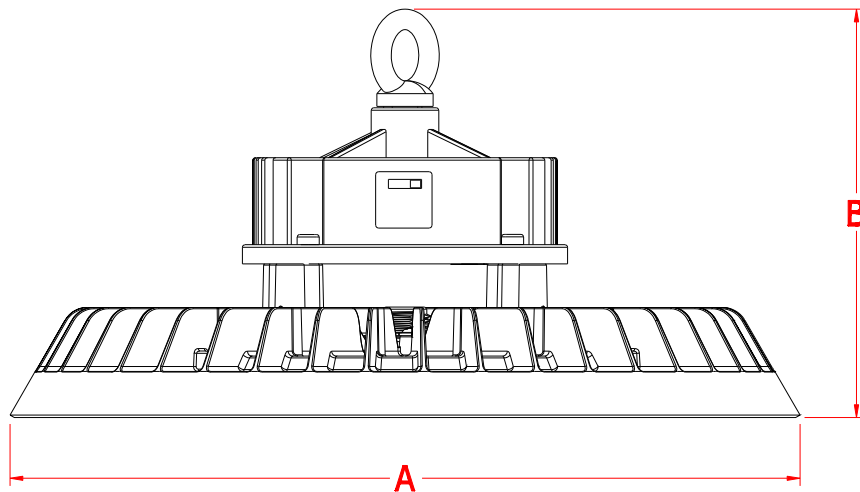
60° / 90° / 120°



Product Features

- DIP Switch: 3 different Power
- Innovative & unique structure and design.
- Die-casting radiator with excellent heat dissipation, overall powder-coated and through 2000hrs' salt spray testing.
- With high transmittance of PC lens.
- Using the appropriate water-proof connector and silicone ring to seal, protecting level reaching IP65, suitable for different kinds of outdoor harsh working environment.

Product Dimension



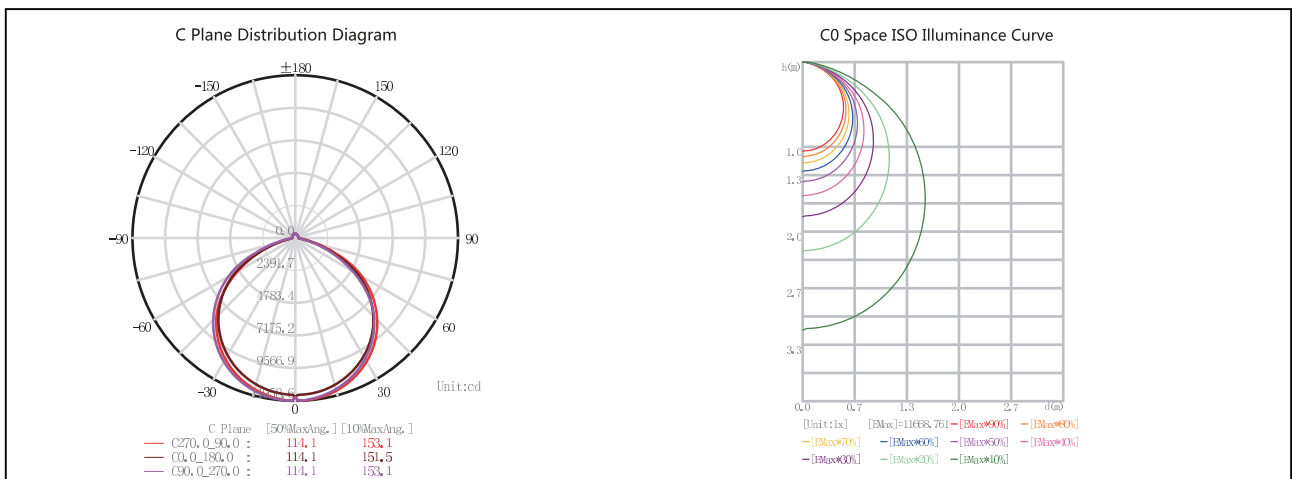
Part NO.	UHBG100VW-5K	UHBG150VW-5K
A (inch)(mm)	(12.13") Φ 308	(13.94") Φ 354
B (inch)(mm)	(6.30")160	(6.50")165

Specification

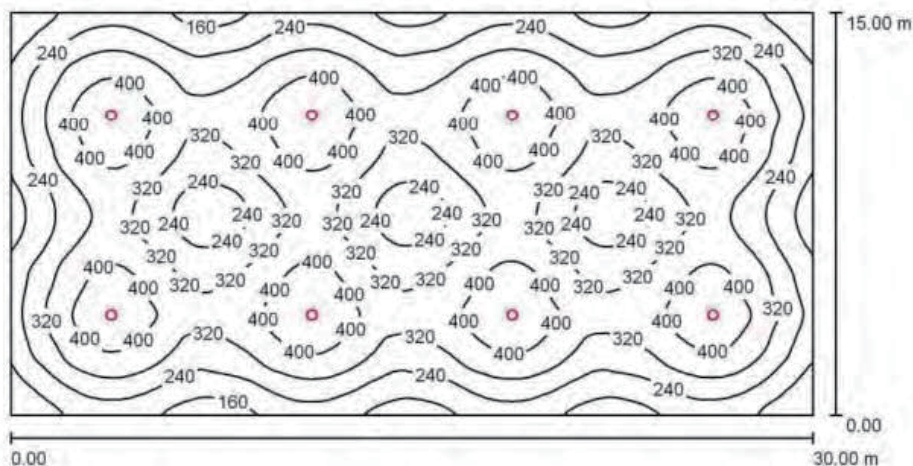
Mode	Power	Input Voltage	Dimmable	Input Current	Light Efficacy	PF	Ra	CCT
UHBG100VW-5K	100-120-150W	AC120-277V	0-10V	1.5A	150lm/w	>0.9	80	4000K-5700K
UHBG150VW-5K	150-200-240W	AC120-277V	0-10V	2.4A	150lm/w	>0.9	80	4000K-5700K

Testing Report

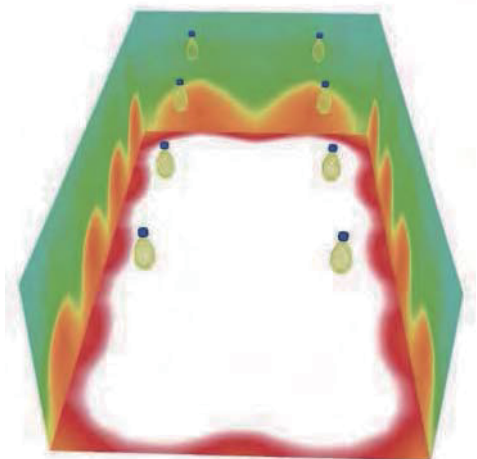
LUMINOUS INTENSITY DISTRIBUTION DIAGRAM



Simulation chart

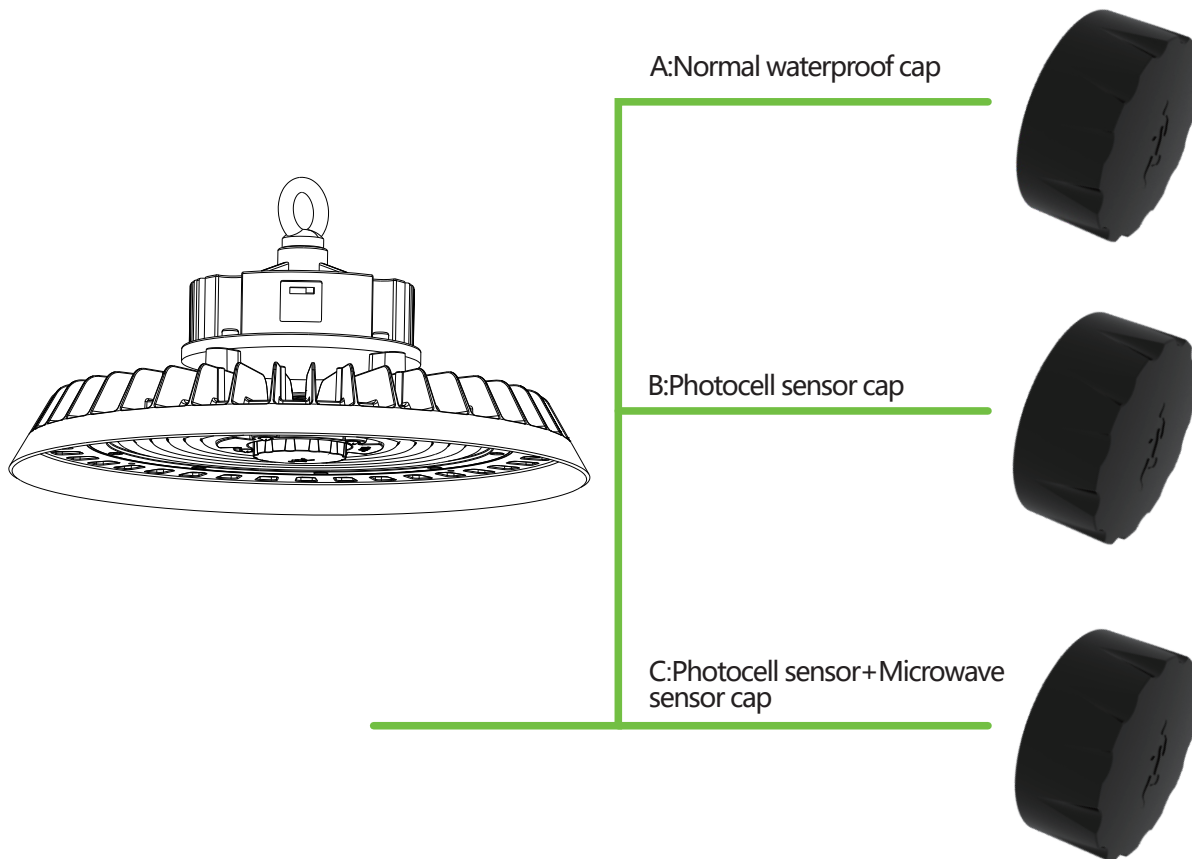


Line graph



Thermal Imaging

Introduction of Motion sensor and programmable function:



Easy to assemble: rotate the old cap out of its position and replace it with new cap needed.

Function of each cap

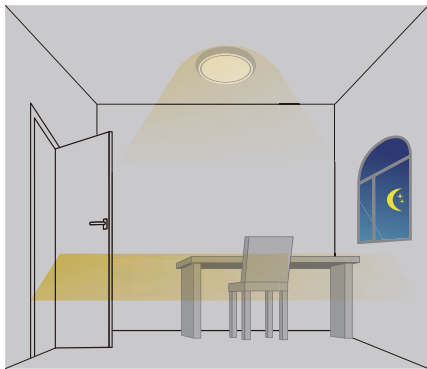
A: ● Normal water proof cap

1:Just waterproof

B: ● Photocell sensor cap

1:Preset a lux value to detect the ambient light level. (Before shipping from the factory, the lux value can be set in advance)

2:Preset lux value with a remote controller (Customer can set the lux value with a remotor)



Lights on when ambient light level is lower than preset lux value.



Lights off when ambient light level is higher than preset lux value.

C: ● Photocell sensor+ microwave sensor cap

● Customer can set it according to actual needs with a remote.

ON/OFF Press the "On/off" button, the light keeps permanently on or off. Press "Mode", "Reset" or "Apply" buttons to quit from this mode.

Auto Mode Press "Auto Mode" button, the sensor starts to work and all settings remain the same before the light gets switched on/off.

Reset 1. Press "Reset" button, change brightness to max level.
2. Press "Reset" button, products with DIP switch will be controlled by DIP; otherwise all the setting will be just initial, that is 100% detection range, hold time 5S, no stand-by time, light threshold disabled.

+/ - Flick only after press "Apply" button
1. To adjust brightness 10-100% in on/off mode.
2. To adjust highest brightness 60-100% in sensor mode.

Start Press "Start" to customize scene, users can change detection range, daylight threshold, holdtime, standby dimming level and standby period.

Memory 1. Press "Memory" to save all the settings.
2. The settings remained as the last time if not get resetted values.

Apply 1. Press "Apply" to deliver the saved setting.
2. Press "Apply" without "memory" will make all the setting one-time operation.
3. Settings should be done within 30S, otherwise it exits memory mode.

Detection area Press to define detection area 100%/75%/50%/25%.

Hold time Press to define holdtime 5s/30s/1min/3min /5min/10min/20min/30min .

Stand-by dimming level Press to define stand-by dimming level 10%/20%/30%/50%.

Stand-by period Press to define stand-by period 0s/10s/30s/1min/5min/10min/30min/+∞.

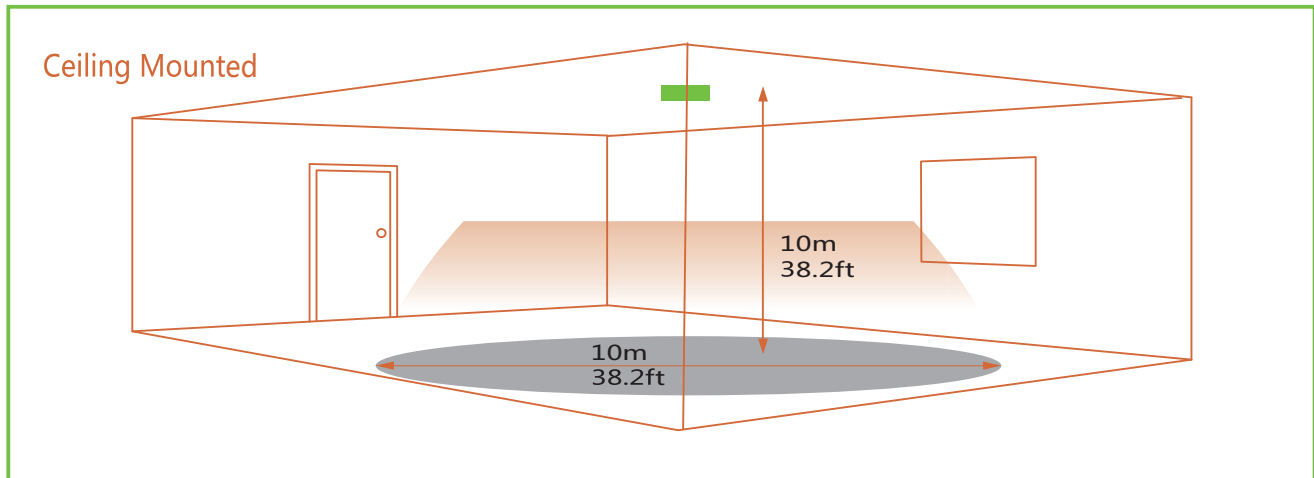
Note: "0s" means no standby period; "+∞" means unlimited standby period.

Daylight threshold Press to define daylight level 2Lux /10Lux /30Lux/50Lux/80Lux/120Lux/Disable
Note: Disable means light will be turned on once sensor detects movement, regardless ambient lux.

Test (2s) The button "Test (2s)" is for testing purpose after commissioning. Press this button, the sensor goes to test mode (hold time is only 2s)

A smarter way to light up your business

● Detection Patterns



● Technical data

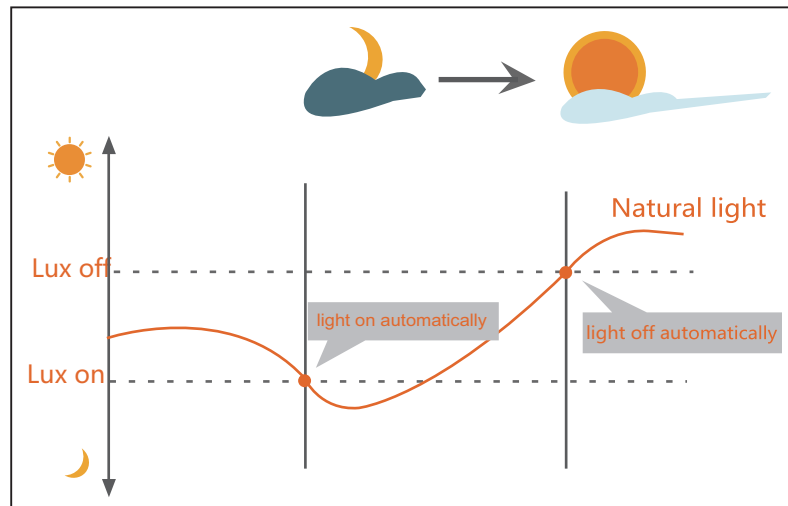
Operating voltage	10-15VDC
Operating current	20mA±5%
Output	DIM0-10V
Stand-by power	<0.5W
Detection area	20%/50%/75%/100%
Hold time	2s/30s/2min//5min/15min/30min
Daylight threshold	5Lux/25Lux/50Lux/100Lux/300Lux//600Lux Disable
Stand-by period	10s/15min/30min/+∞
Stand-by dimming level	10%/20%/50%
Microwave frequency	5.8GHz±75MHz
Microwave power	<0.3mW
Mounting height	Max.10m/38.2ft
Detection range	Max.10m/38.2ft
Operating temperature	-20°C~+60°C

● Lux on/off

Adopted dual PD technology, it is able to differentiate artificial light brightness from natural light after installed inside the fixture, and automatically turn off light when ambient brightness exceeds preset lux level.

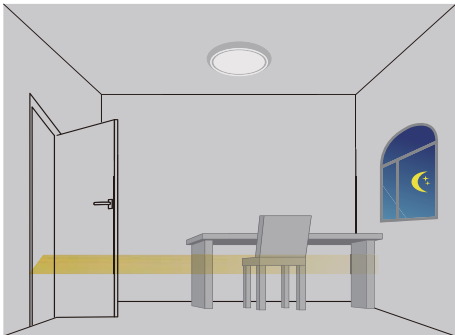
Preconditions to use the Lux-off function:

1. Standby period is +∞;
2. Standby dimming level is on 10%, or 50%;
3. Daylight threshold is on 30Lux, 50Lux, 80Lux or 100Lux.



A smarter way to light up your business

● Application——Lux on/off



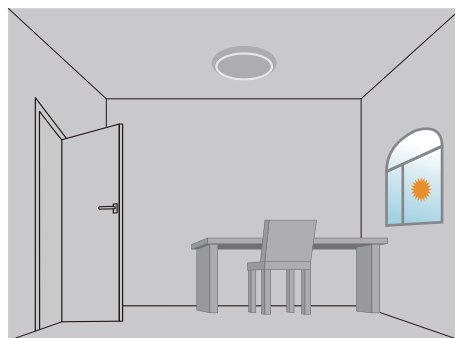
Light automatically on when ambient brightness is lower than preset lux level.



With insufficient ambient brightness, light dims to 100% when motion detected.

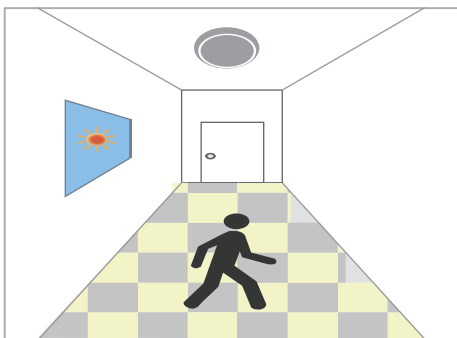


Light dims to standby level if no motion detected after holdtime.



Light off when ambient lux level is higher than preset lux amount.

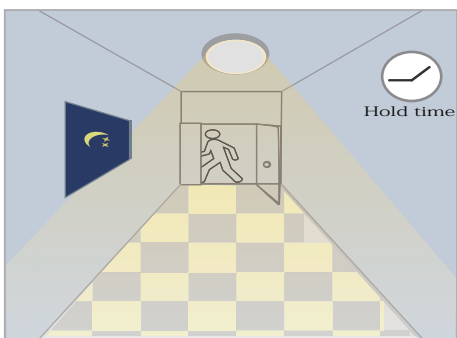
● Application——Dimmable control/Corridor function



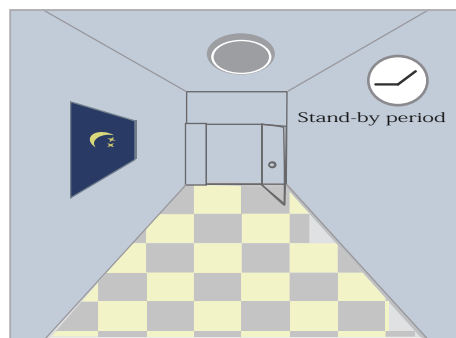
With sufficient daylight, even when motion detected, light remains OFF. After the stand-by period, light OFF. After last detection, the light will be



With insufficient daylight, when motion detected, light ON.

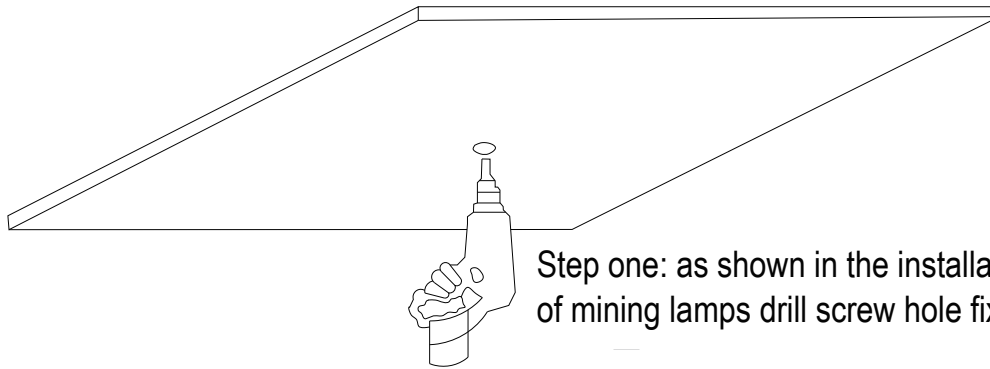


dimmed down to the stand-by dimming level(10%,20%,30% or 50%) after holdtime.

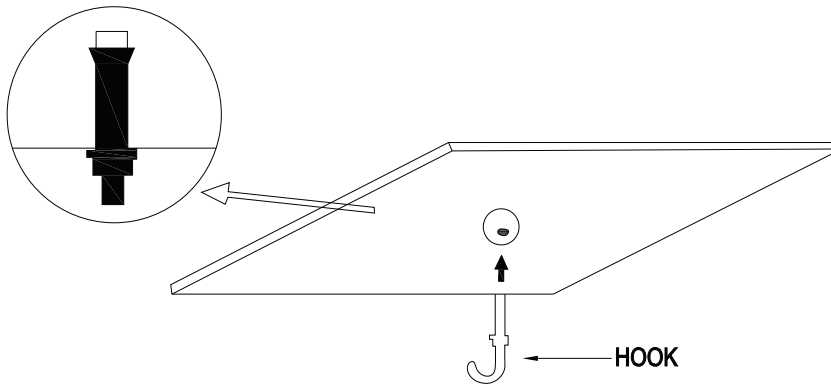


Light dims to standby level if no motion detected after holdtime.

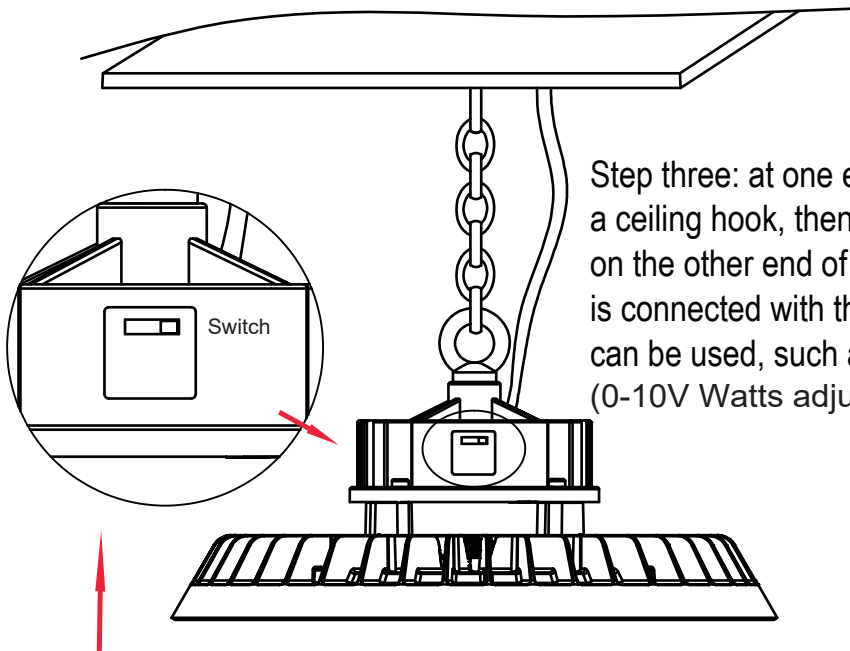
Installation



Step one: as shown in the installation position of mining lamps drill screw hole fixed the chain a good.



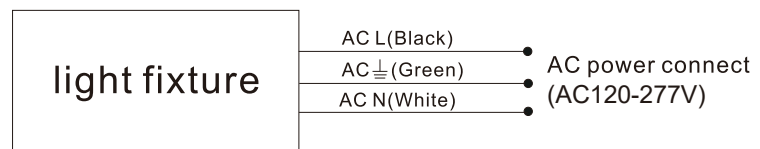
Step two: then in the drill hole position will hook is fixed at the drill hole position. (pictured above)



Step three: at one end of the chain placement in a ceiling hook, then the UFO lamp hook and chain on the other end of the hook and good, is connected with the commercial power can be used, such as above shown. (0-10V Watts adjustable isolated-driver)

Watt Tunable :Switch
3 different power:
UHBG100VW-5K: 100W 120W 150W
UHBG150VW-5K: 150W 200W 240W

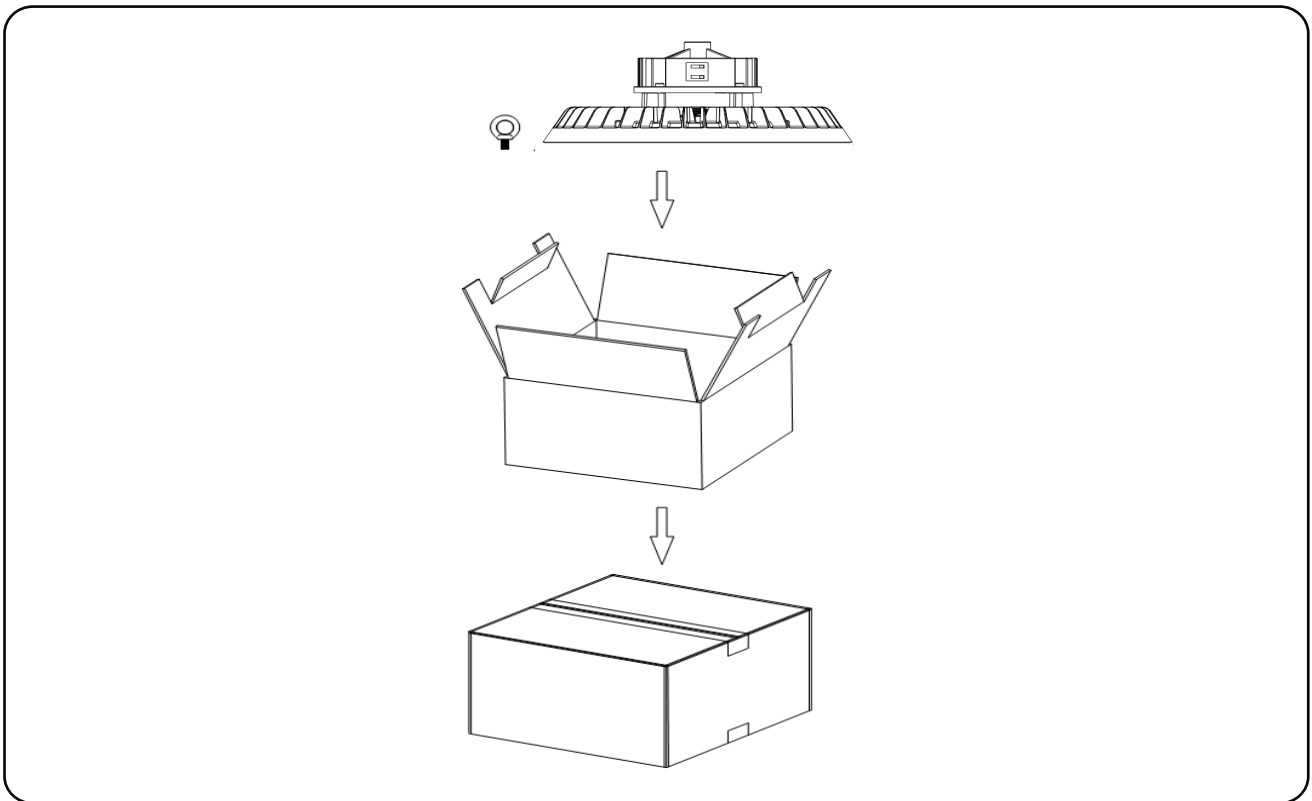
Wiring instruction



Packing /weight

Part NO.	Outer Carton Size (LxWxH)	Qty/Carton (pcs)	Net weight (kg)(lbs)	Gross weight (kg)(lbs)	20GP (QTY)	40HQ (QTY)
UHBG100VW-5K	320*320*165mm	1PCS	2.1Kg 4.63 lbs	2.6Kg 5.73 lbs	1071PCS	2535PCS
UHBG150VW-5K	370*370*165mm	1PCS	2.9Kg 6.39 lbs	3.5Kg 7.72 lbs	909PCS	2151PCS

Packing



Power Tunable UFO Series Highbay



Note

- 1.The installation and maintenance must be completed by electricians or professionals.
- 2.Please cut off the power before installation and maintenance.
- 3.The fixture is not allowed to be covered by thermally insulating material.
4. Please keep away from the corrosive substance,and keep the fixture dry and clean.
5. Working temperature:-4°F~104°F, storage temperature:-22°F~140°F.