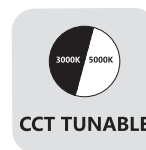
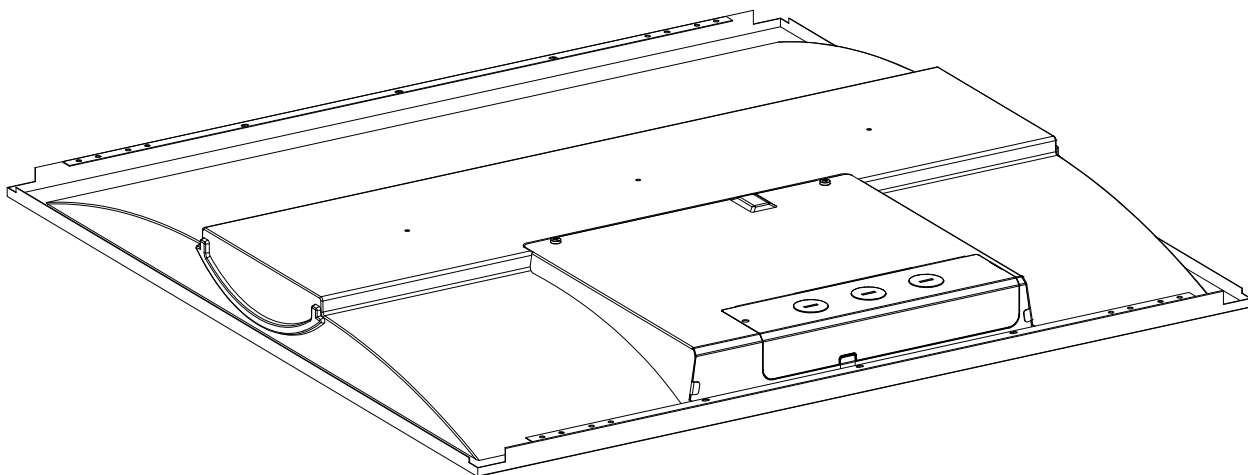
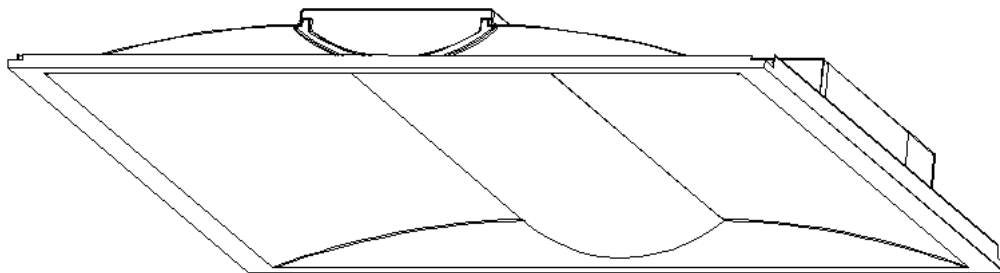




Power and CCT Tunable LED Troffer Light

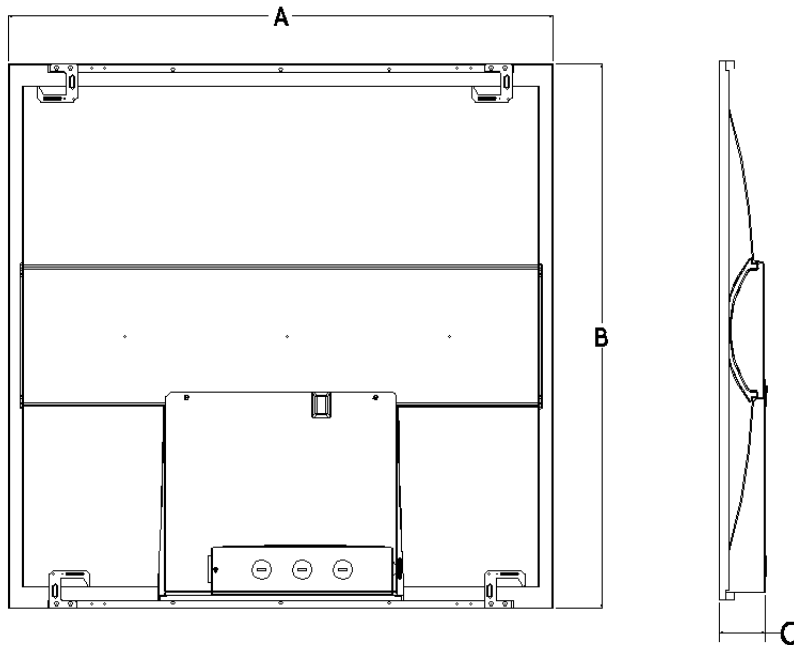
Product Appearance



Product Features

- 1. DIP Switch: 3 different Power and 3500K-4000K-5000K CCT tunable.
- 2. Smooth and comfortable light.
- 3. High lighting efficiency:> 130lm/W.
- 4. Ra>80, PF>0.95, THD<15%.
- 5. White Metal body, ensures durable quality and efficient heat dissipation.
- 6. High-quality 0-10V dimming isolated driver. High driver efficiency:>90%.
- 7. Smart options for bi-level dimming, motion sensor and emergency functions.
- 8. Convenient access to retrofit. Ideal for office, retail and other architectural spaces.
- 9. ETL and DLC 5.1 certified.
- 10. Five years' warranty.

Product Dimension

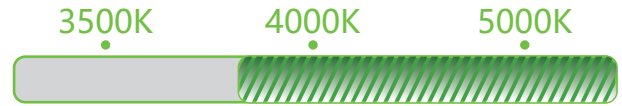


size	Mode	A (inch)(mm)	B (inch)(mm)	C (inch)(mm)
2x2FT	TTR-22-40W-L-HY	23.74" (603mm)	23.74" (603mm)	1.97" (50mm)
2x4FT	TTR-24-50W-L-HY	47.76" (1213mm)	23.74" (603mm)	1.97" (50mm)

Specification

Mode	Power	Input Voltage	Dimmable	Input Current	PF	Light Efficacy	Ra	CCT
TTR-22-40W-L-HY	30-35-40W	AC100-277V	0-10V	0.4A	>0.9	130lm/w	80	3500K-4000K-5000K
TTR-24-50W-L-HY	30-40-50W	AC100-277V	0-10V	0.5A	>0.9	130lm/w	80	3500K-4000K-5000K

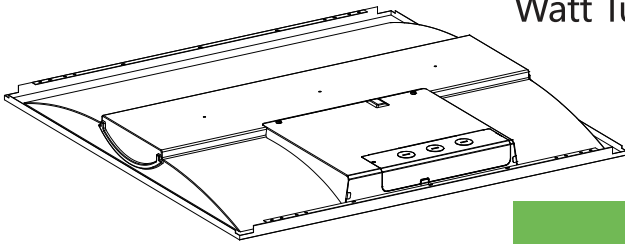
CCT Tunable



2x2 Watt Tunable



2x4 Watt Tunable



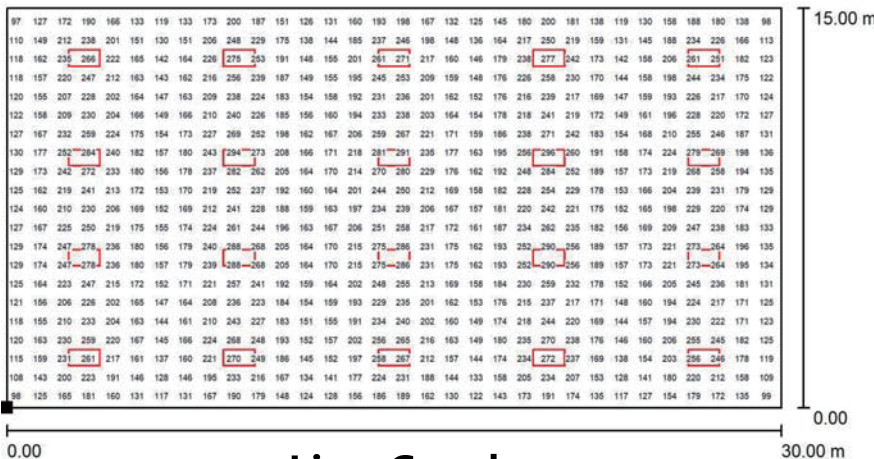
30W 3500K
30W 4000K
30W 5000K

35W 3500K
35W 4000K
35W 5000K

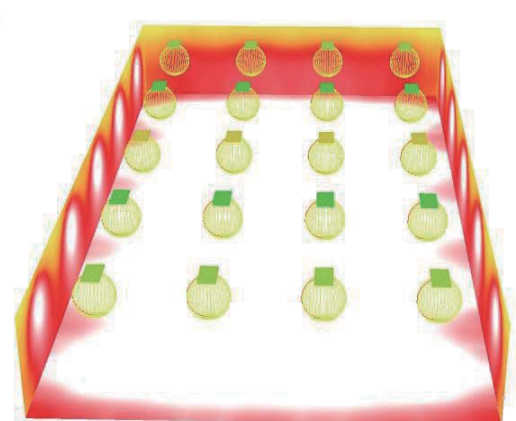
40W 3500K
40W 4000K
40W 5000K

50W 3500K
50W 4000K
50W 5000K

Simulation chart



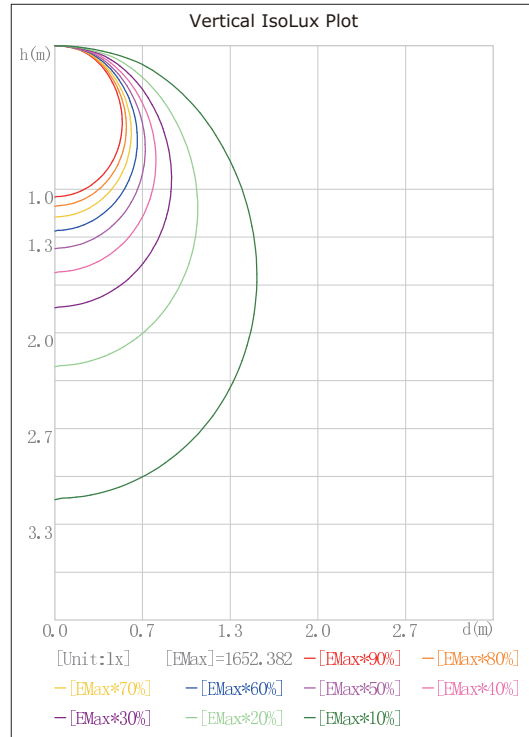
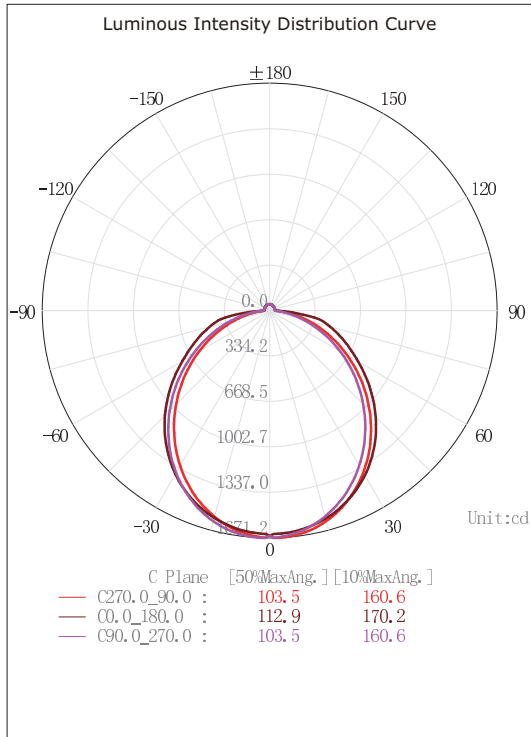
Line Graph



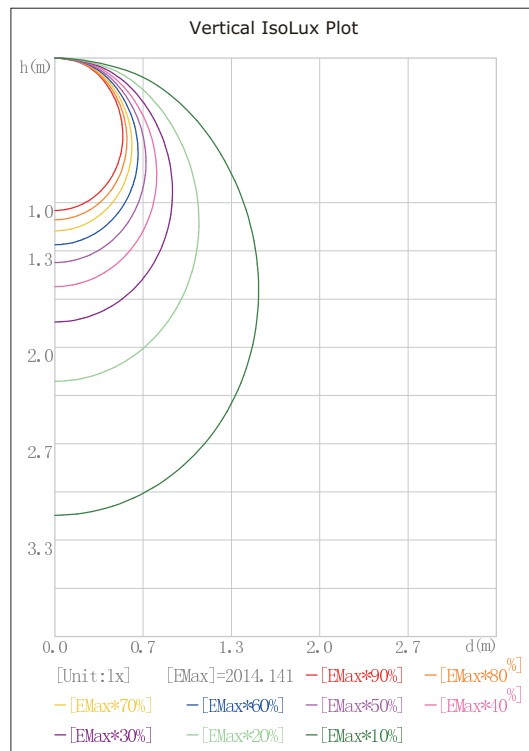
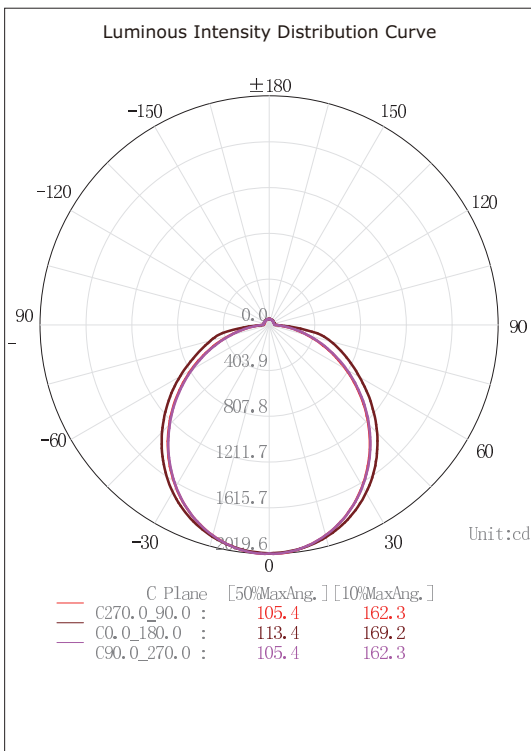
Thermal Imaging

Testing Report

2X2 LUMINOUS INTENSITY DISTRIBUTION DIAGRAM



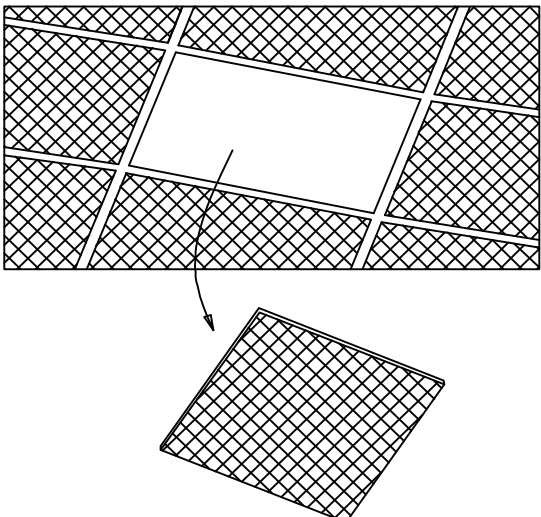
2X4 LUMINOUS INTENSITY DISTRIBUTION DIAGRAM



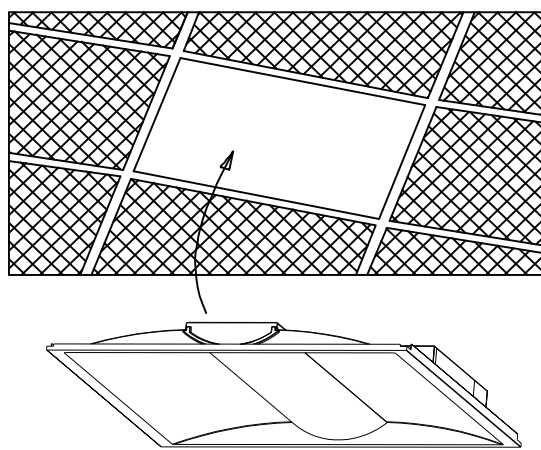
Installation

LED Troffer Light installation instruction

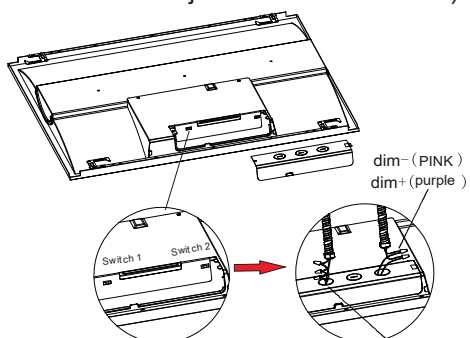
1. Remove 2x2 or 2x4 the from ceiling



2. Put on the LED troffer



3. open the power supply cover
adjust dip switch to the required power
connect the wires and lock
the power supply cover
(0-10V CCT&Watts adjustable isolated-driver)



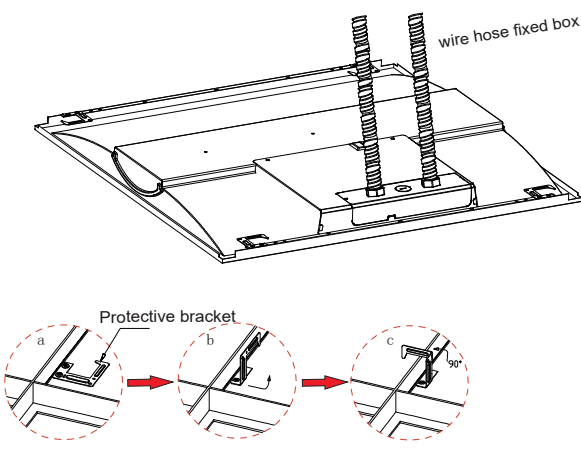
dim- (PINK)
dim+ (purple)

Watt Tunb ale: Switch 1
3 different power:
2'2 : 30W 35W 40W
2'4 : 30W 40W 50W

CCT Tunbale Switch 2 =
3500K 4000K 5000K

L (black)
N (white)
ground wire (green)

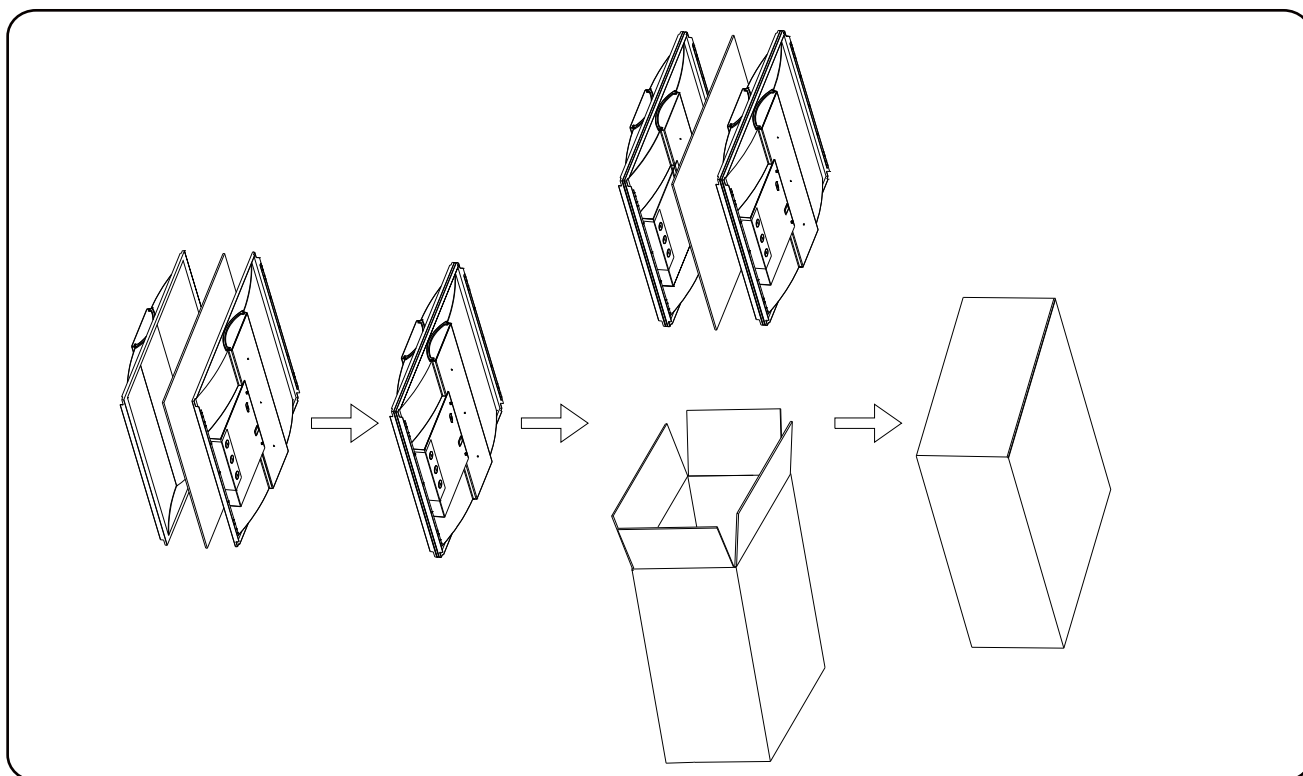
4. Fixed wire hose on the troffer,
Then installation is completed.



Packing /weight

Part NO.	Outer Carton Size (LxWxH)	Qty/Carton (pcs)	Net weight (kg)(lbs)	Gross weight (kg)(lbs)	20GP (QTY)	40HQ (QTY)
TTR-22-40W-L-HY	(613*220*625mm) (24.13x8.66"x24.6")	4PCS	2.6Kg 5.7lbs	6.2Kg 13.6 lbs	1328	3040
TTR-24-50W-L-HY	(1223*220*625mm) (48.15"x8.66"x24.6")	4PCS	4.6Kg 10.1lbs	10.5Kg 23.1lbs	644	1544

Packing



Power and CCT Tunable LED Troffer Light



Note

- 1.The installation and maintenance must be completed by electricians or professionals.
- 2.Please cut off the power before installation and maintenance.
- 3.The fixture is not allowed to be covered by thermally insulating material.
4. Please keep away from the corrosive substance,and keep the fixture dry and clean.
5. Working temperature:-4°F~104°F, storage temperature:-22°F~140°F.