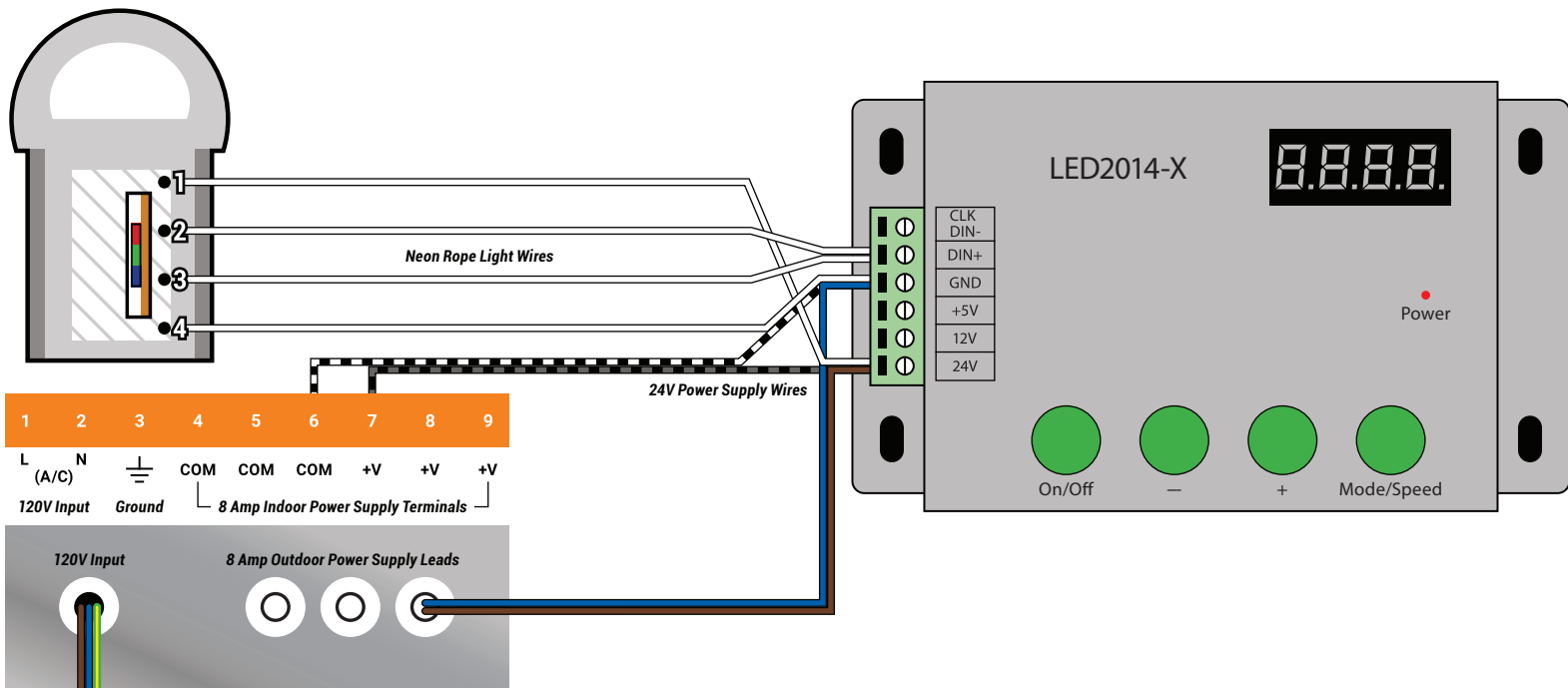


24V RGB SMD LED NEON CONTROLLER INSTRUCTIONS



SNRL24 SMD RGB Color Changing Neon Rope Light Controller Guide

Controller Button Instructions:

ON/OFF Button: Use to turn the controller on or off
- Button: Use to change effects, speed/brightness, and lighted length
+ Button: Use to change effects, speed/brightness, and lighted length
MODE/SPEED Button: Press to switch between effects, change speed/brightness.
Adjusting the Lighted Length: While the controller is off, press and hold MODE/SPEED button for >3 seconds. Screen readout should show 0300 and the lighting should light up a solid color. Use the +/- buttons to adjust lit area to desired length. Press the power button to set length.

Display Readout Guide

H-(001-300) Effect Mode
 E-(01-10) Speed Setting
 D-001 Demo Mode
 0001-2152 Lighted Length

Controller Wiring Directions:

While the controller is unplugged, first connect the 24V RGB SMD neon rope light wiring to the controller using the corresponding terminals, next connect the 24V power supply (note, only connect the power supply to the green wire terminals):

Neon Rope Light Wires

#1 wire connects to "24V" terminal
 #2 and #3 wires connect to "DIN+" terminal
 #4 wire connects to "GND" terminal

24V Indoor Power Supply Wires

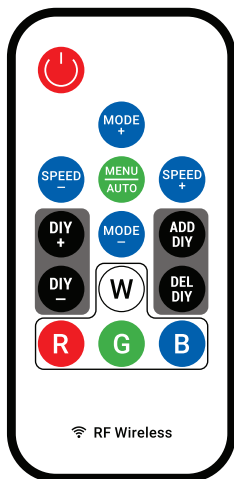
COM wire connects to "GND" terminal
 +V wire connects to "24V" terminal
 Use of a surge protector is highly recommended.

24V Outdoor Power Supply Wires

BLUE wire connects to "GND" terminal
 BROWN wire connects to "24V" terminal
 Use of a surge protector is highly recommended.

SNRL24 SMD RGB Color Changing Neon Rope Light Controller RF Remote Guide

Basic Button Functions - see below for advanced functions



ON/OFF Button:
 Use to turn the controller on or off.

Mode Buttons:
 Use to cycle through the preset effect settings.

Speed Buttons:
 Use to adjust the speed of the preset effects, or adjust the brightness of steady burn colors. 10 speed settings, 32 brightness levels.

ADD/DEL DIY Buttons:
 Use to add or remove current effect to DIY quick access.

+/- DIY Buttons:
 Use to cycle through user selected DIY quick access effects.

MENU/AUTO Button:
 Automatic mode - cycles through all preset or DIY quick access effects.

W Button:
 Use to select steady burn white.

B Button:
 Use to select steady burn blue.

G Button:
 Use to select steady burn green.

R Button:
 Use to select steady burn red.

Advanced Button Functions

Adjusting the Lighted Length:

If you are using a custom cut length or would otherwise want to change the distance the lighting effects run, you can adjust the controller to operate the lighting effects at different lengths.

1. Insure that the controller is turned off.
2. Press the MENU/AUTO button for <3 seconds to enter the adjustment menu.
3. Press MODE+/- to extend or shorten the lighted distance by a single unit.
 Press SPEED+/- to extend or shorten the lighted distance by multiple units.
4. After adjusting press the POWER button to save and exit the adjustment menu.

Auto DIY Quick Access Effects:

How to automatically play the effects added to DIY quick access .

1. Add selected effect to DIY quick access - see front.
2. Press the DIY+ button.
3. Press the MENU/AUTO button to auto play all effects added to DIY quick access.

Reset Red, Green, and Blue buttons:

When pressed, if the preset red, green, or blue steady burn buttons do not display the correct color you can reset each button using the following steps.

1. Insure that the controller is turned off.
2. Press the MENU/AUTO button for <3 seconds to enter the setup menu.
3. Press the R button until the lights turn red.
4. Press the G button until the lights turn green.
5. Press the B button until the lights turn blue.
6. After resetting press the POWER button to save and exit the setup menu.