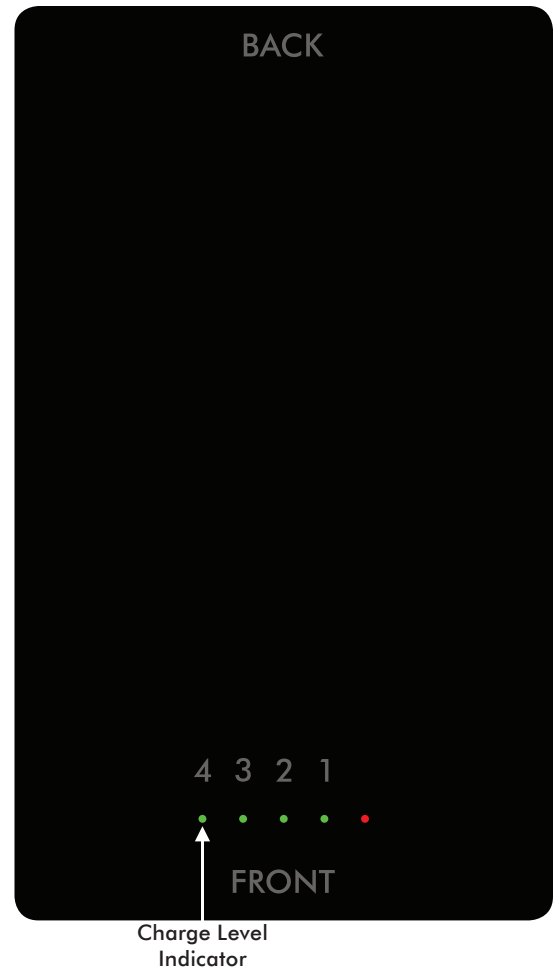
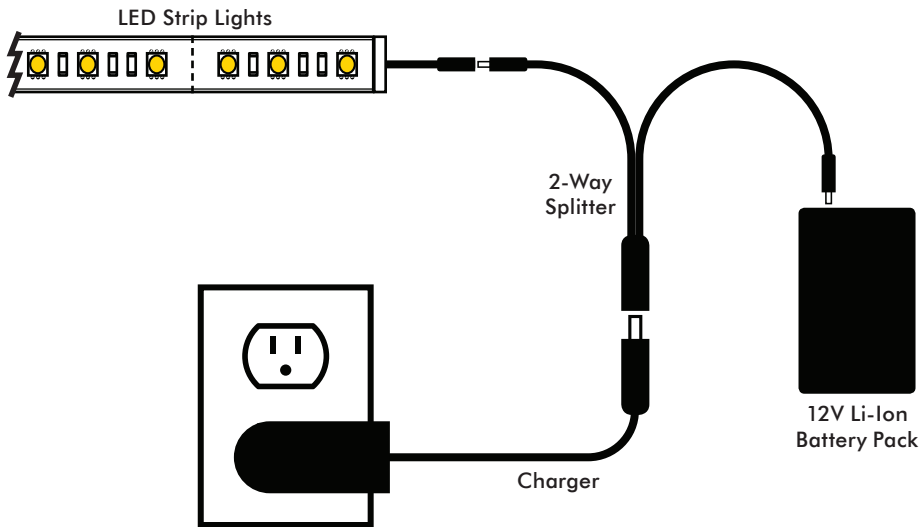
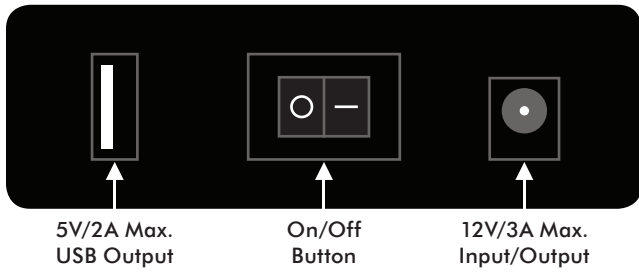


## MISC-12VLION6000



## MISC-12VLION6000 Operation Guide

### Power ON and OFF:

- ON: Push power switch to "I" position
- OFF: Push power switch to "O" position

### Charge Level Indicator:

There are 4 green charge level lights. Push power switch to "I" position to power on unit. The power and charge indicator lights will be lighted indicating the amount of charge. Light 1 = 25%, Light 2 = 50%, Light 3 = 75%, Light 4 = 100%

### To Charge Battery:

- Disconnect any lighting from the battery.
- Connect the AC-DC charger to the 12V 3A input on the battery.
- Connect the charger to a standard wall outlet.
- Push the power switch to the "I" position.
- While charging a red LED indicator light on the charger will be lit.
- Once fully charged a green LED indicator on the charger will be lit.

### WARNINGS:

- DO NOT immerse the battery in water or make it wet.
- DO NOT modify or disassemble the battery.
- DO NOT let children touch or play with the battery.
- DO NOT put the battery in a fire.
- DO NOT heavily impact or throw the battery.
- If any liquids from battery make eye contact - DO NOT RUB - immediately rise with water and consult a doctor.
- If there is any abnormal or malfunction during use or charging, please contact your supplier.
- Only use the included charger to charge the battery.
- Battery should be stored in a cool and dry location.
- Avoid any exposure to any moisture or excessive humidity.
- Long term storage is not recommended if the battery charge level is below 50%.
- For long term storage while not in use the manufacturer recommends recharging the battery every 3 months.

## MISC-12VLION6000 Specifications

Size: 1.0625 in. x 3.3125 in. x 5.5625 in.

Weight: 1.0 lbs.

12V Capacity: 6,000 mAh

Input: 12.6V/3.0A max.

Output: 12.6V/3.0A max., 5V/2.0A USB

Charger Output: 12.6V/1.0A

Charge Time: ~6 Hrs.

Operating Temperature: -4°F - 140°F