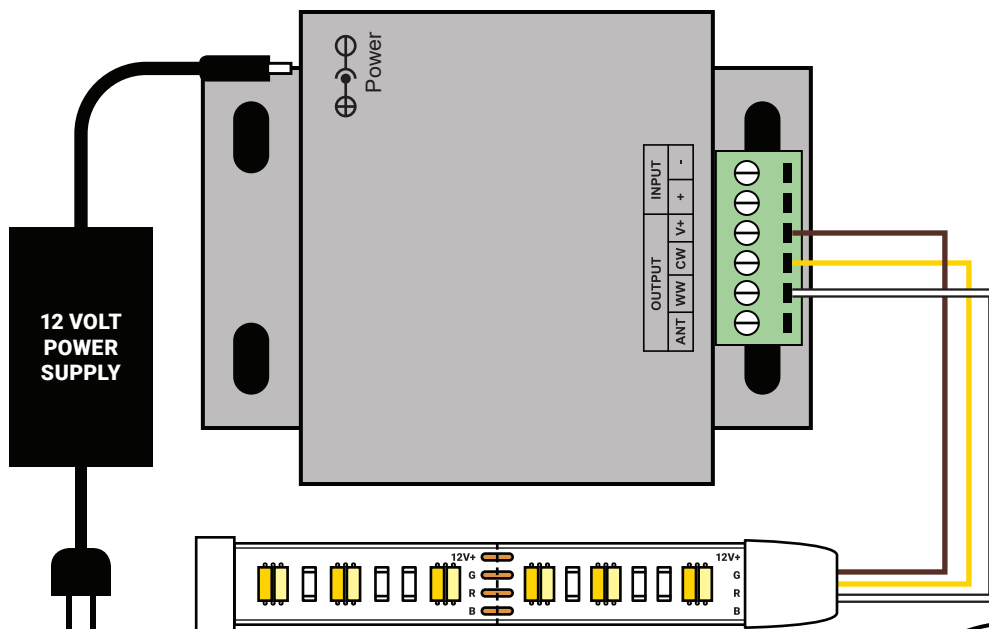


VARIABLE WHITE STRIP LIGHT CONTROLLER INSTRUCTIONS

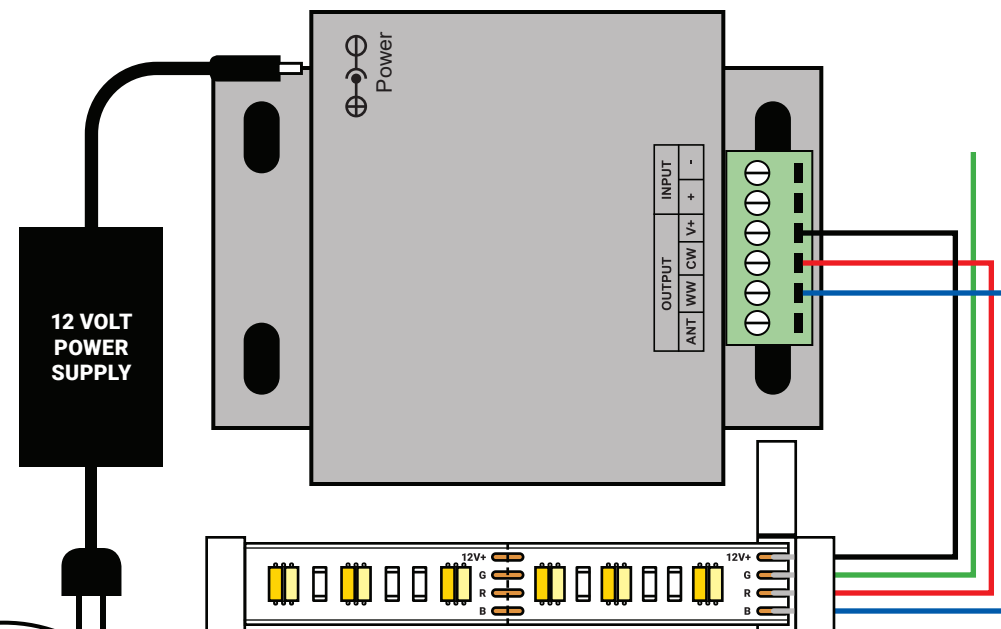


Controller Wiring Directions - Spool Factory Pre-Installed Wires:

While the controller is unpowered, connect the variable white strip light to the controller using the pre-installed wiring to the corresponding controller terminals:

12V on strip will use the **BROWN** wire to connect to V+
 WW on strip will use the **YELLOW** wire to connect to WW
 CW on strip will use the **WHITE** wire to connect to CW

Connect your 12 Volt power supply into the controller.



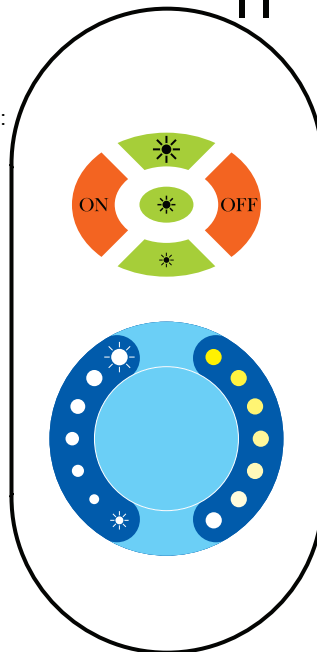
Controller Wiring Directions - 4 Wire Connectors:

While the controller is unpowered, connect the IP22 4-wire connector to the variable white strip light, then connect the wiring to the corresponding controller terminals:

12V on strip will use the **BLUE** wire to connect to V+
 WW on strip will use the **RED** wire to connect to WW
 CW on strip will use the **BLACK** wire to connect to CW

The **GREEN** wire is not used

Connect your 12 Volt power supply into the controller.



Remote Controller Functions

Orange Buttons ON/OFF - use to turn the strip lights on or off.

Green Buttons Pre-set brightness settings - large sun HIGH brightness, center sun MEDIUM brightness, small sun LOW brightness.

Lower Touch Dial

Left Side Custom Brightness (100% - 1%) - use finger to set desired brightness level, top is brightest/bottom is dimmest.

Right Side Variable White Setting - use finger to set desired color temperature, top is 100% warm white/bottom is 100% cool white.