

12V RGB STRIP LIGHT MINI AMPLIFIER INSTRUCTIONS - STRP1250A-MRGBAMP



DISCLAIMER: These instructions are suggested installation procedures only. Brilliant Brand Lighting assumes no liability for problems, damages, injuries, or expenses that may occur from improper installation or product failure. These instructions do not constitute professional installation and may not necessarily meet all electrical requirements in your state. If you are uncomfortable with any of these procedures please contact a licensed electrical contractor.

WARNING: When using strip lighting outdoors, waterproof PVC or silicone, plus heat shrink tubing are required to seal all connections, power cords, and end caps. NOTE the use of any non-recommended sealant e.g. electrical tape, may result in a strip light or strip light accessory failure and will void the warranty.

WARNING: LED lights produce excessive heat operating while spooled. Fully unspool all LED lights before operation. Failure to do so may result in damage to the lighting and or property.

NOTE: LED lights are polarized. If they do not light up when you first plug them in, simply unplug the power cord and reinstall connection 180° from the original configuration, or insert the power connector in the opposite end of the lights.

IP22 (Indoor) Wiring

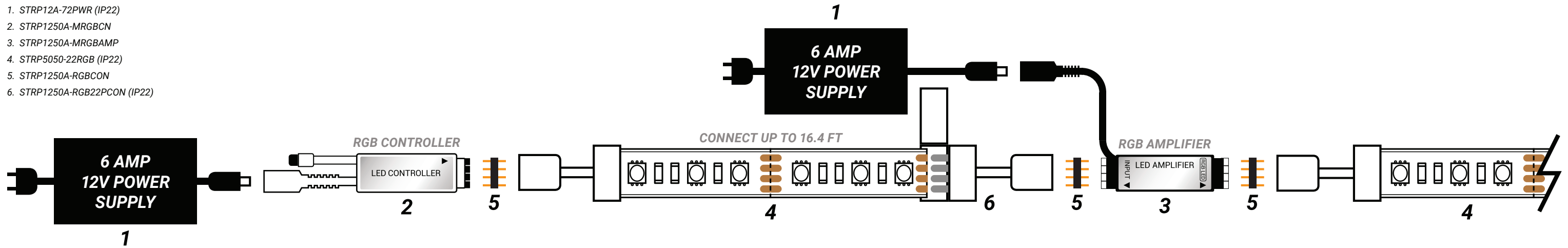
- Connect 6A power supply (STRP12A-72PWR) to RGB controller (STRP1250A-MRGBCN).
 - Connect RGB controller (STRP1250A-MRGBCN) to first run of RGB strip light (STRP5050-22RGB) using a 4-pin connector (STRP12A-RGBCON).
 - Connect RGB strip light (STRP5050-22RGB) to RGB amp (STRP1250A-MRGBAMP) using STRP1250A-22RGBPCON connector.
 - Connect RGB amp (STRP1250A-MRGBAMP) to second run of RGB strip light (STRP5050-22RGB) using a 4-pin connector (STRP12A-RGBCON).
 - Connect second 6A power supply (STRP12A-72PWR) to the RGB amp (STRP1250A-MRGBAMP).
- Repeat as necessary for each additional spool.

Notes:

When installing 4-pin connections ensure that the arrows on each connector are aligned.

IP22 (Indoor) Parts List

1. STRP12A-72PWR (IP22)
2. STRP1250A-MRGBCN
3. STRP1250A-MRGBAMP
4. STRP5050-22RGB (IP22)
5. STRP1250A-RGBCON
6. STRP1250A-RGB22PCON (IP22)



IP65 (Outdoor) Wiring

- Connect 6A power supply (STRP12A-72PWRW) to male barrel plug connector (STRP12A-MPCON).
 - Connect male barrel plug connector (STRP12A-MPCON) to RGB controller (STRP1250A-MRGBCN).
 - Connect RGB controller (STRP1250A-MRGBCN) to first run of RGB strip light (STRP5050-65RGB) using a 4-pin connector (STRP12A-RGBCON).
 - Connect RGB strip light (STRP5050-65RGB) to RGB amp (STRP1250A-MRGBAMP) using STRP1250A-RGBVPCON connector.
 - Connect RGB amp (STRP1250A-MRGBAMP) to second run of RGB strip light (STRP5050-65RGB) using a 4-pin connector (STRP12A-RGBCON).
 - Connect second 6A power supply (STRP12A-72PWRW) to the RGB amp (STRP1250A-MRGBAMP) using male barrel plug connector (STRP12A-MPCON).
- Repeat as necessary for each additional spool.

Notes:

When installing 4-pin connections ensure that the arrows on each connector are aligned.

Outdoor installations require all connections be sealed with the 12V strip light weatherproofing kit (MISC-ODS).

IP65 (Outdoor) Parts List

1. STRP12A-72PWRW (IP65)
2. STRP12A-MPCON
3. STRP1250A-MRGBCN
4. STRP1250A-MRGBAMP
5. STRP5050-65RGB (IP65)
6. STRP1250A-RGBCON
7. STRP1250A-RGBVPCON (IP65)

